

Shamrock Audio



Keelin

Thank you for choosing to build the kit version of the Keelin. This speaker is provided to members of the Bass List at no charge for their personal use. I truly hope that you enjoy building the Keelin and that you enjoy listening to it.

The Keelin uses the Peerless 850108 and the Morel MDT-20 in a rear-ported enclosure. The enclosure is made from $\frac{3}{4}$ " MDF. The tweeter is off-set and the pair should be mirrored. I used a foam bed-pad to dampen the top, back, and sides of the upper section, and the back and one side of the bottom section under the shelf brace. The area behind the tweeter between the shelf braces is left open. The Low-Pass section is mounted on the bottom of the enclosure, and the High-Pass section is mounted on the side opposite the wall with the foam. I recommend making your own port from 2" black ABX rather than using one of the flared ports available.

Crossover Components:

HP:

C-1 8uf
C-2 8uf
C-3 1uf
R-1 1 Ohms
R-2 7 Ohms
R-3 15 Ohms
L-1 .22mH 16ga. Air-Core

LP:

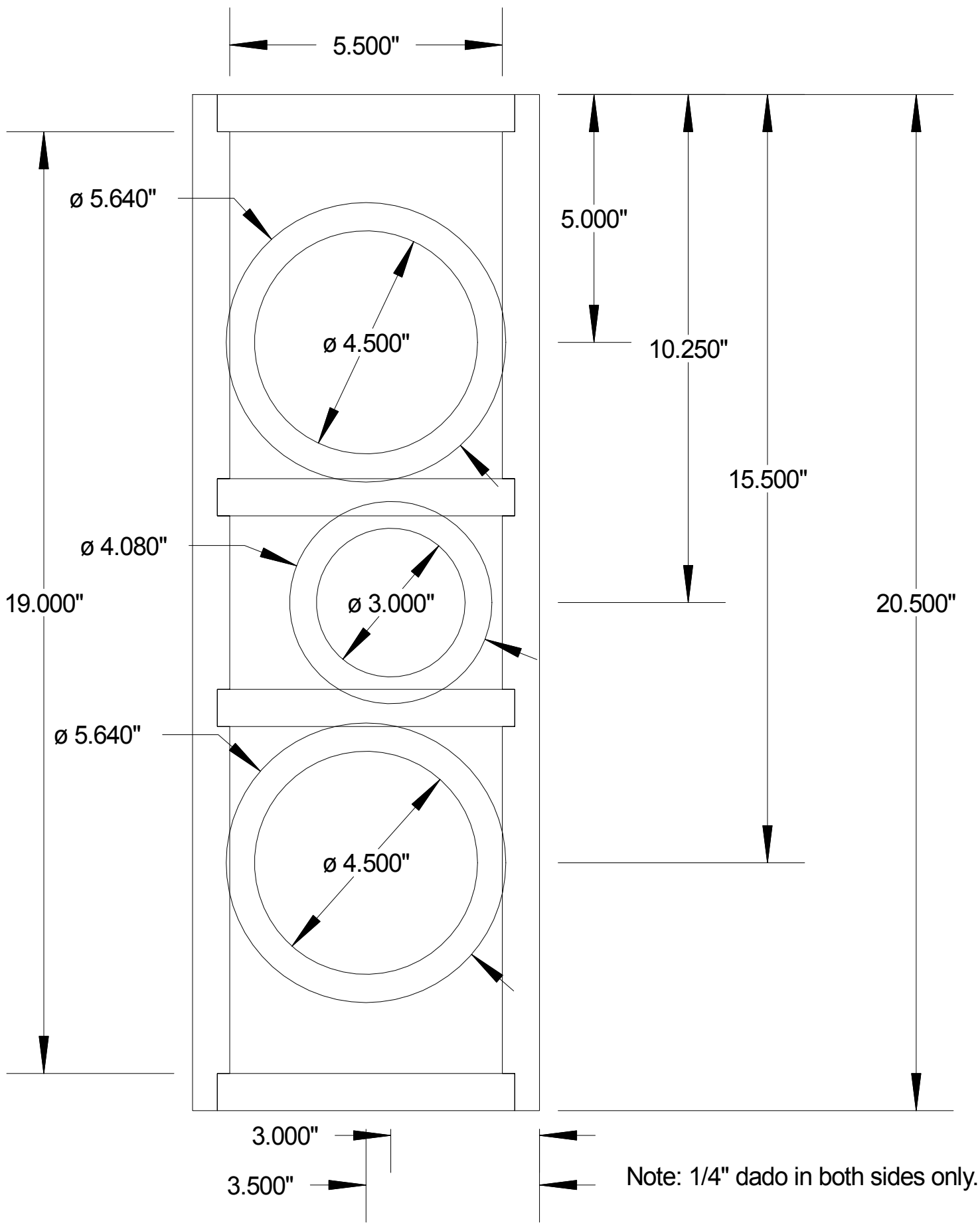
L-1 .5mH 16ga. Air-Core
L-2 .33mH 16ga. Air-Core
C-1 20uf
C-2 20uf
R-1 6 Ohms
R-2 6 Ohms

The Keelin is a 4 Ohms load and about 90db.

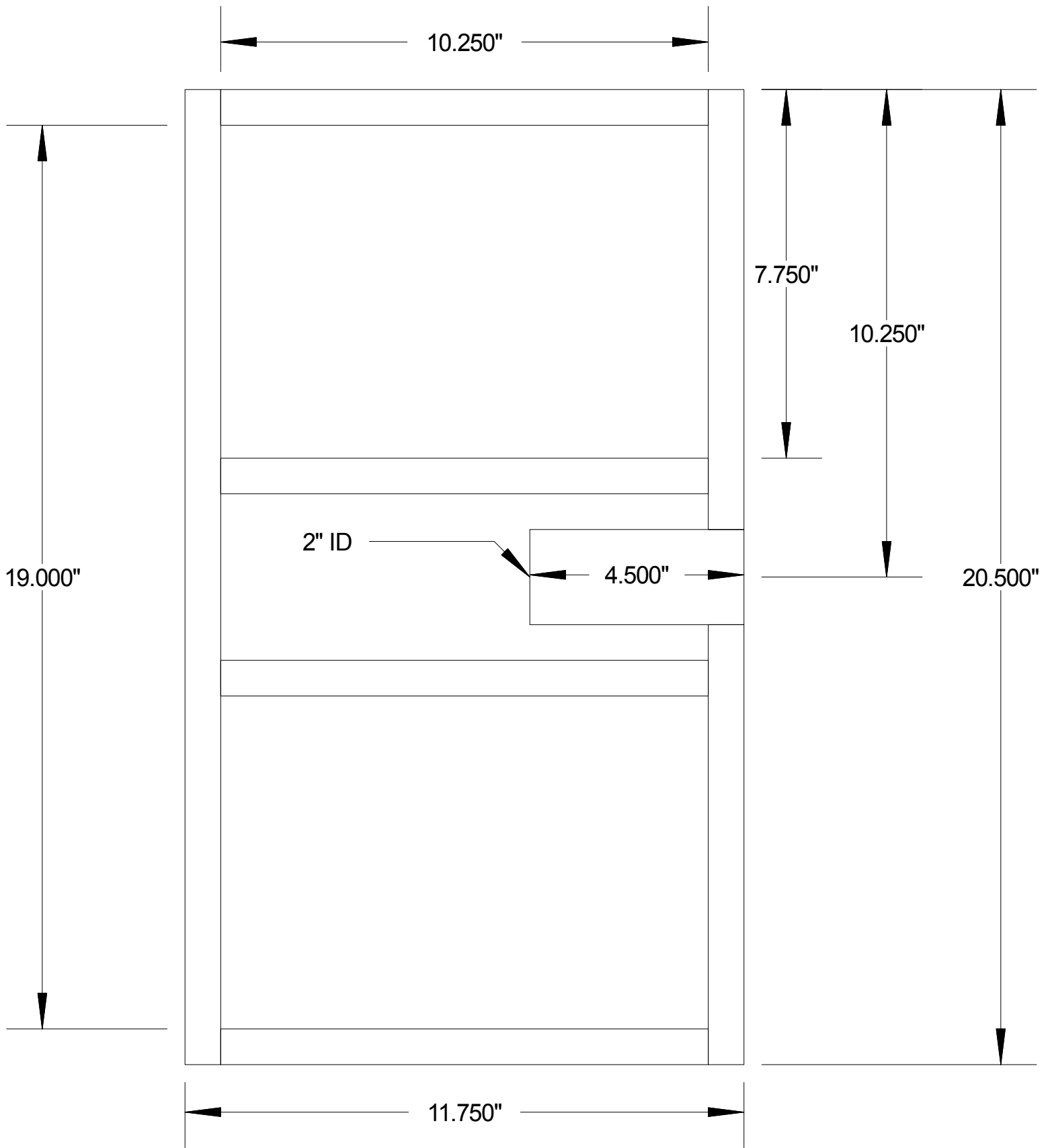
Thank you again, and have fun!

Best regards,

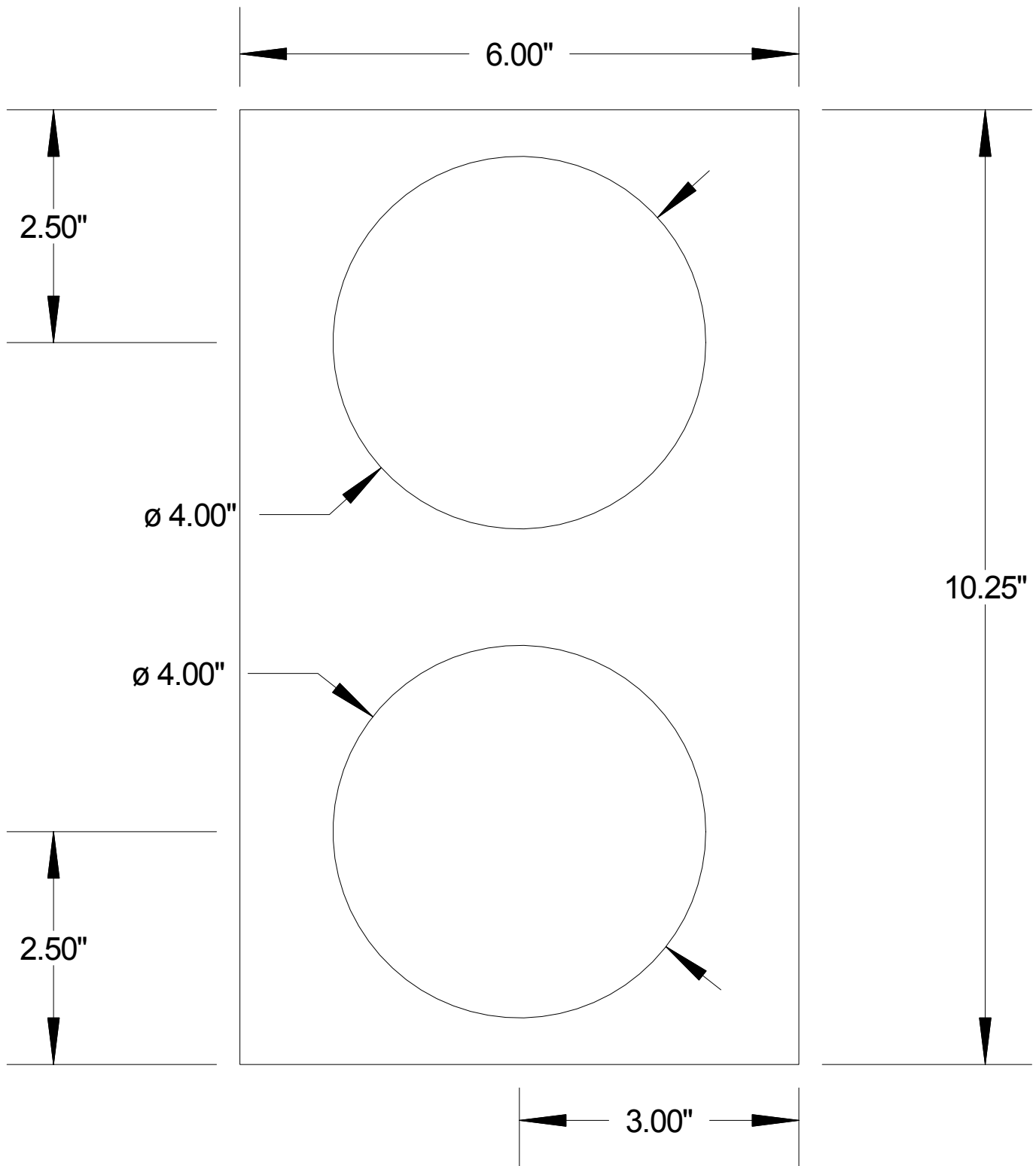
Mike McCall
Shamrock Audio, Inc.



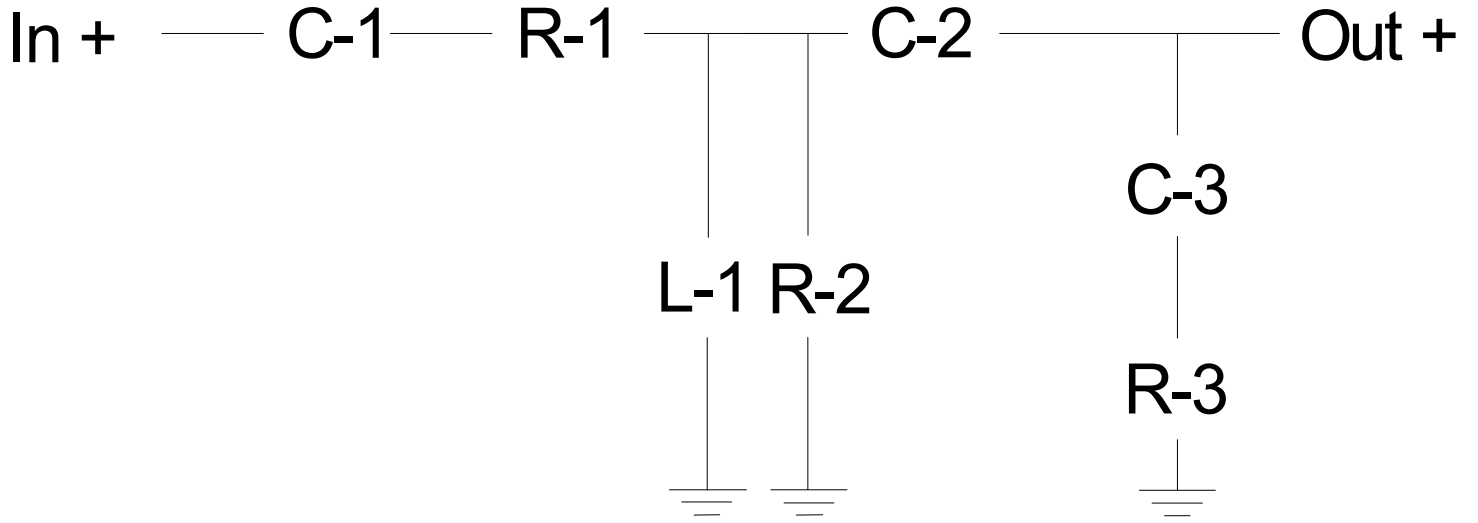
Keelin Front View
 ©2003 Shamrock Audio, Inc.
 All Rights Reserved



Keelin Side View
© 2003 Shamrock Audio, Inc.
All Rights Reserved



Keelin Shelf Brace
© 2003 Shamrock Audio, Inc.
All Rights Reserved



Keelin High-Pass Section
© 2003 Shamrock Audio, Inc.
All Rights Reserved

