

Shamrock Audio



Eilish

Thank you for choosing to build the kit version of the Eilish. This speaker is provided to members of the Bass List at no charge for their personal use. I truly hope that you enjoy building the Eilish and that you enjoy listening to it.

The Eilish uses the Peerless 850108 and the Morel MDT-20 in a rear-ported enclosure. The enclosure is made from $\frac{3}{4}$ " MDF. The tweeter is off-set and the pair should be mirrored. I used a foam bed-pad to dampen the top, back of the bottom section under the shelf brace, and one side of the lower section. The Low-Pass section is mounted on the bottom of the enclosure, and the High-Pass section is mounted on the side opposite the wall with the foam. I recommend making your own port from 1.5" black ABX rather than using one of the flared ports available.

Crossover Components:

HP:

- C-1 6uf
- C-2 10uf
- C-3 1uf
- R-1 3 Ohms
- R-2 8 Ohms
- R-3 10 Ohms
- L-1 .15mH 16ga. Air-Core

LP:

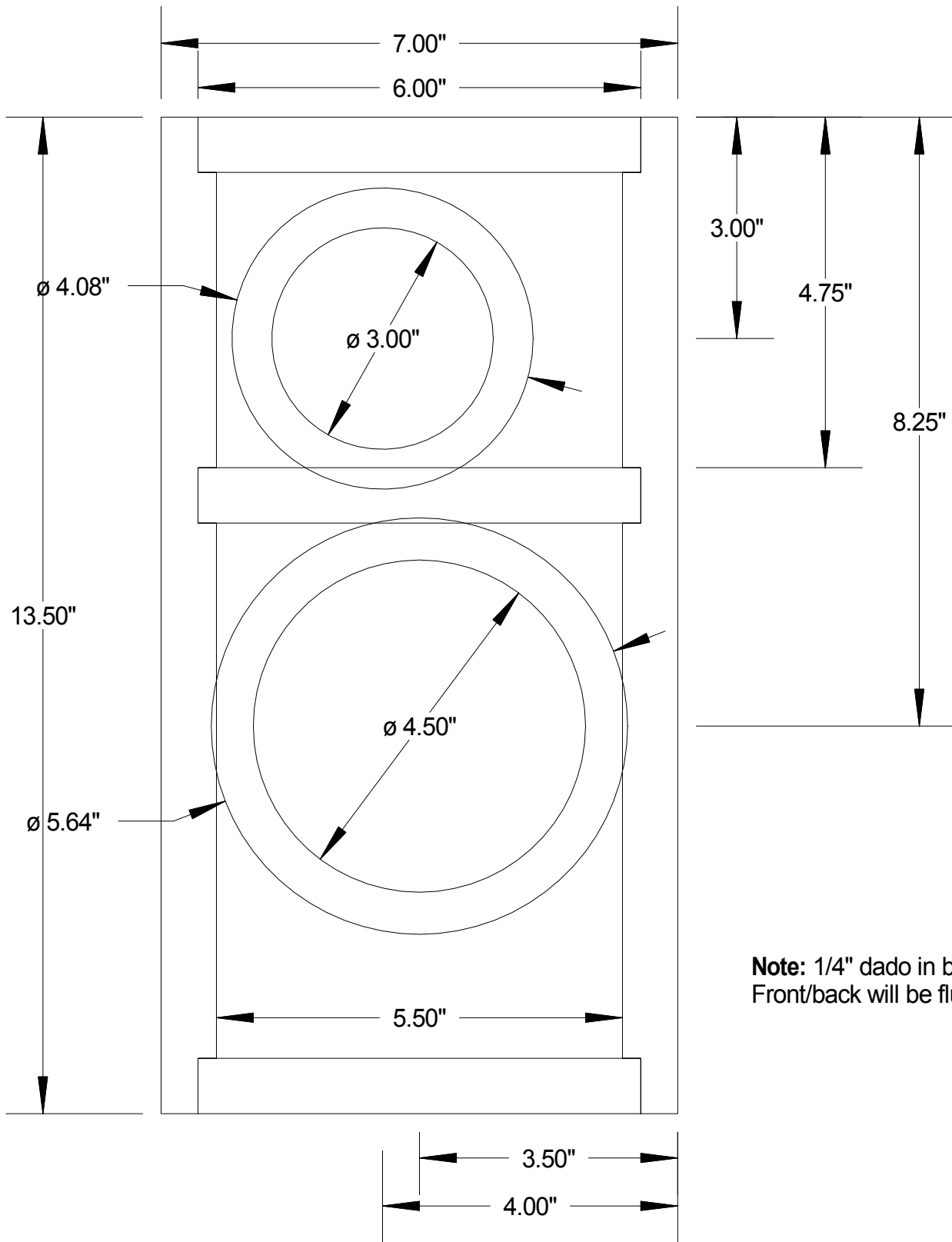
- L-1 .5mH 16ga. Air-Core
- L-2 .9mH 16ga. Air-Core
- C-1 15uf
- C-2 35uf
- R-1 10 Ohms
- R-2 5 Ohms

The Eilish is a 6 Ohms load and about 86db.

Thank you again, and have fun!

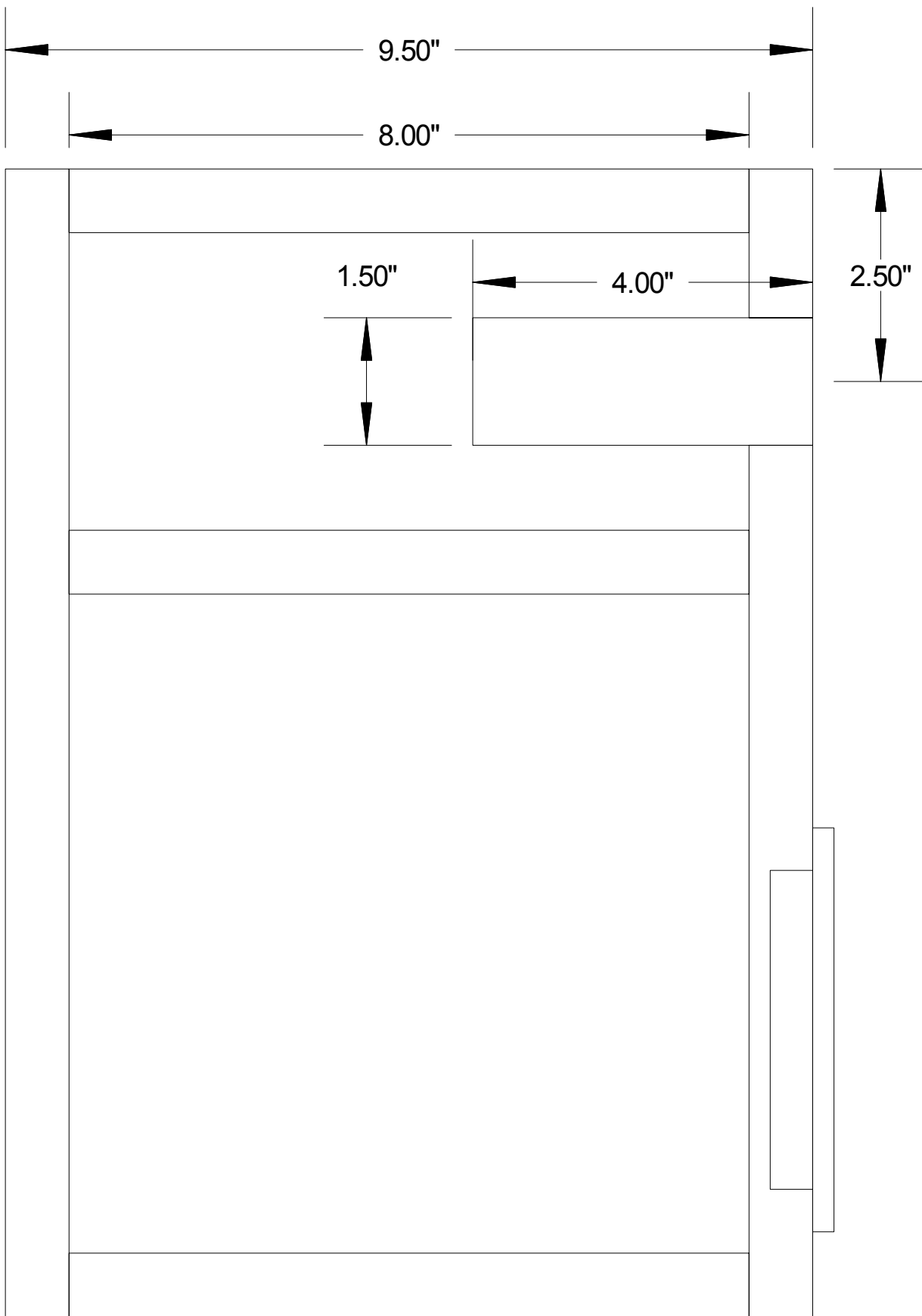
Best regards,

Mike McCall
Shamrock Audio, Inc.



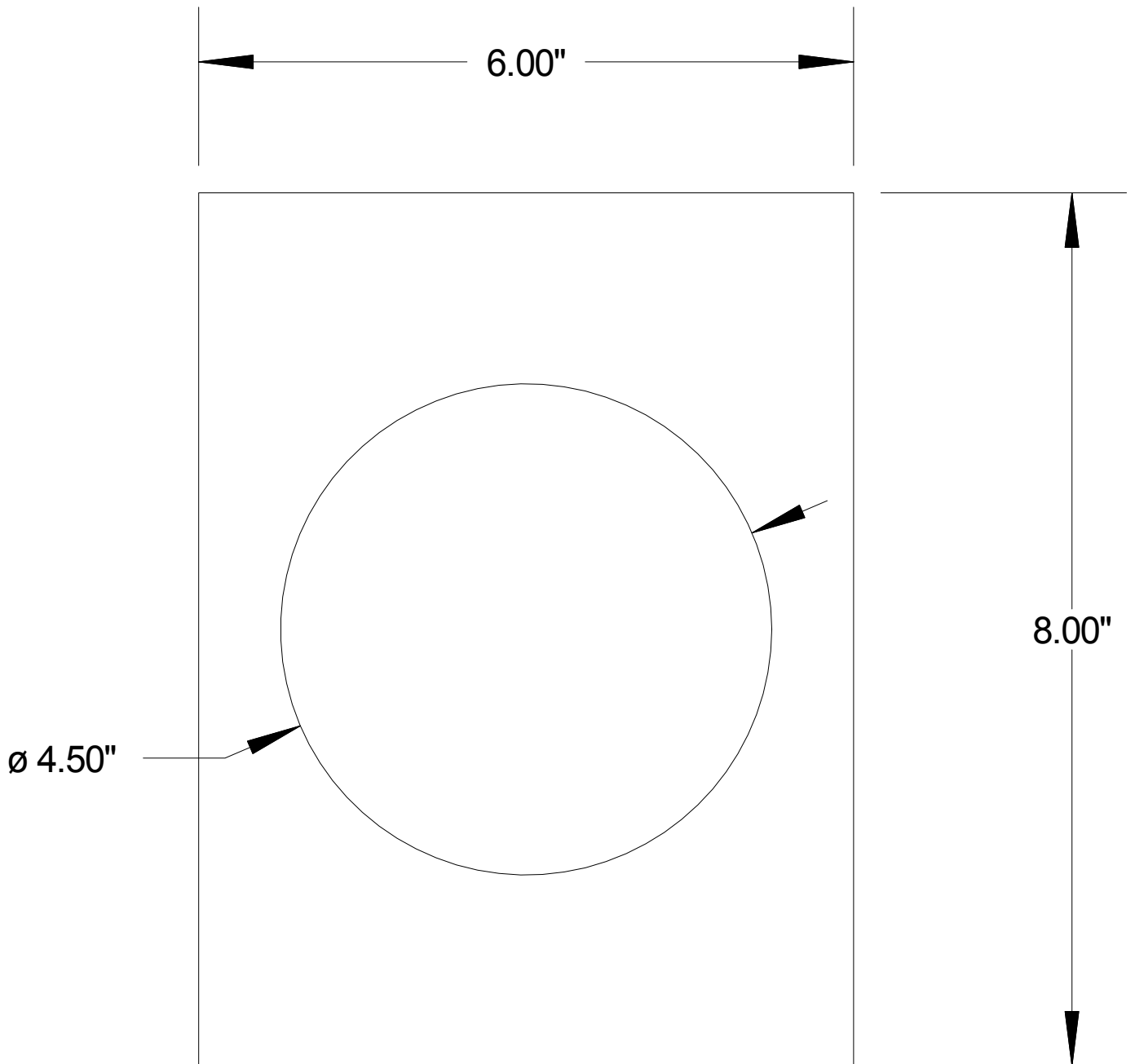
Eilish

© 2003 Shamrock Audio, Inc.
All Rights Reserved

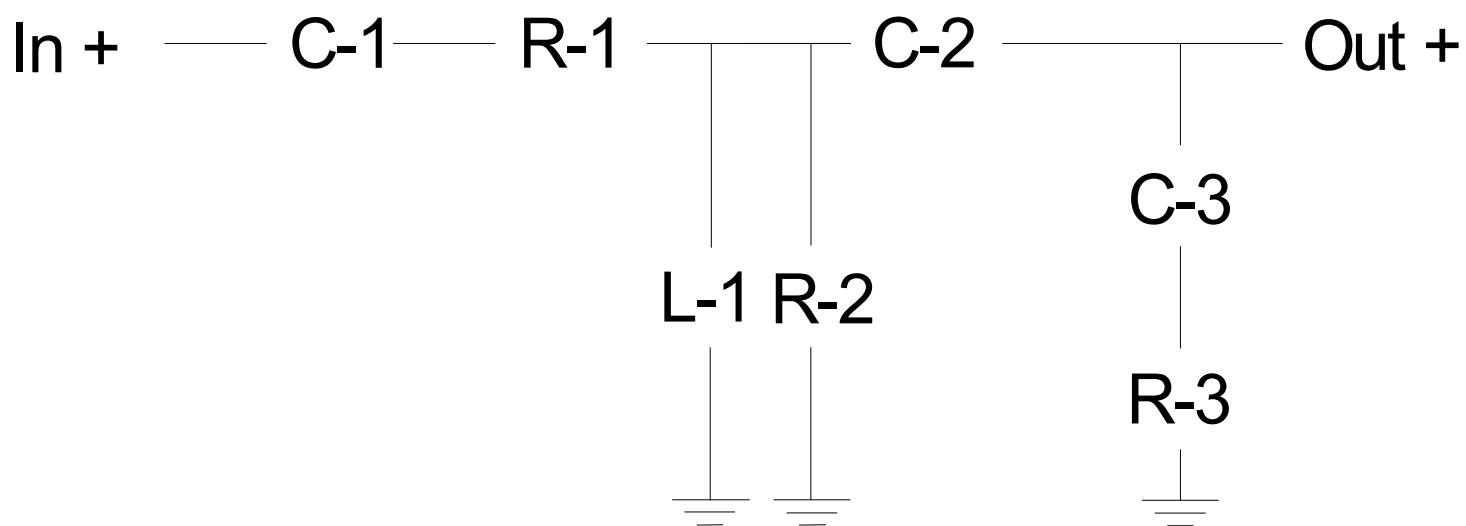


Eilish Side View

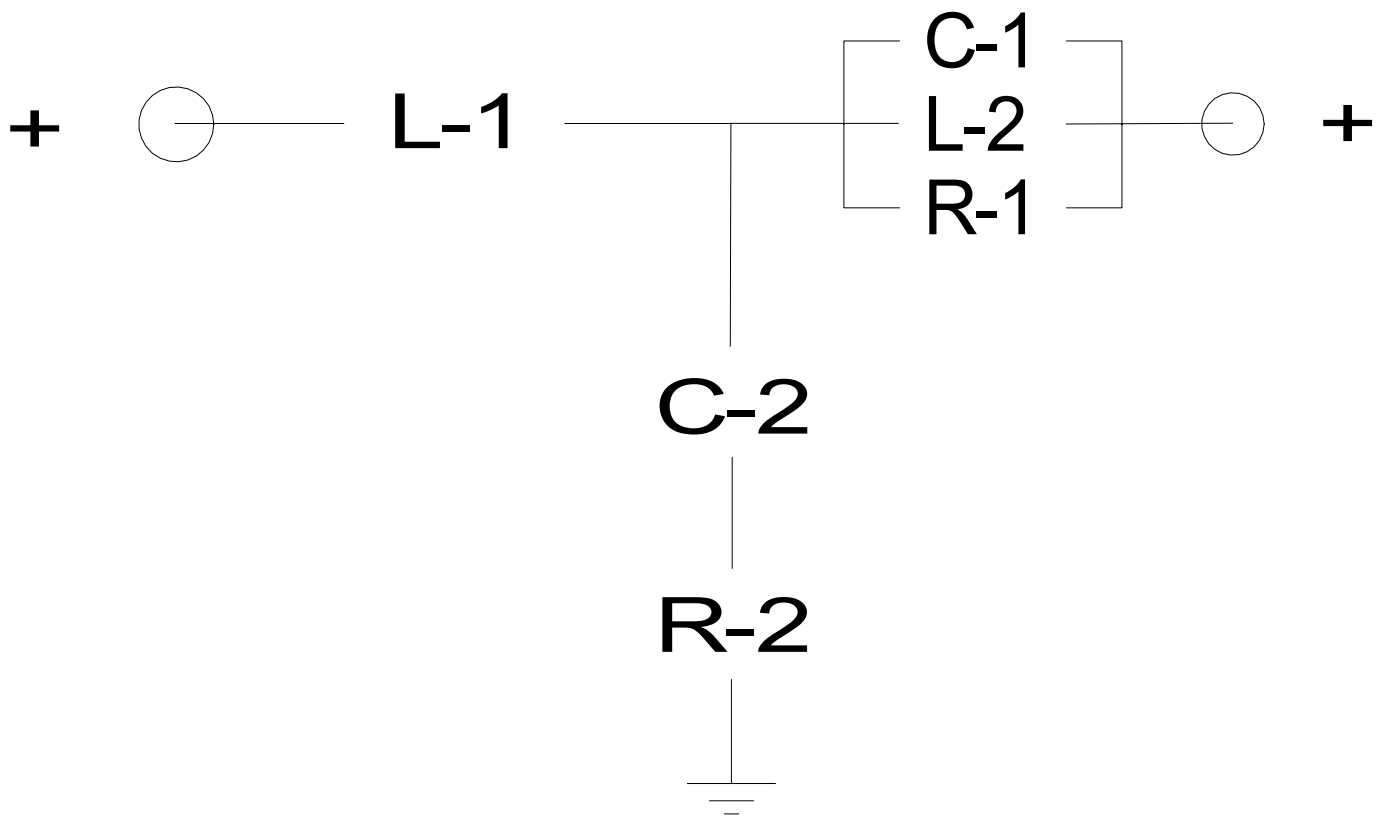
© 2003 Shamrock Audio, Inc.
All Rights Reserved



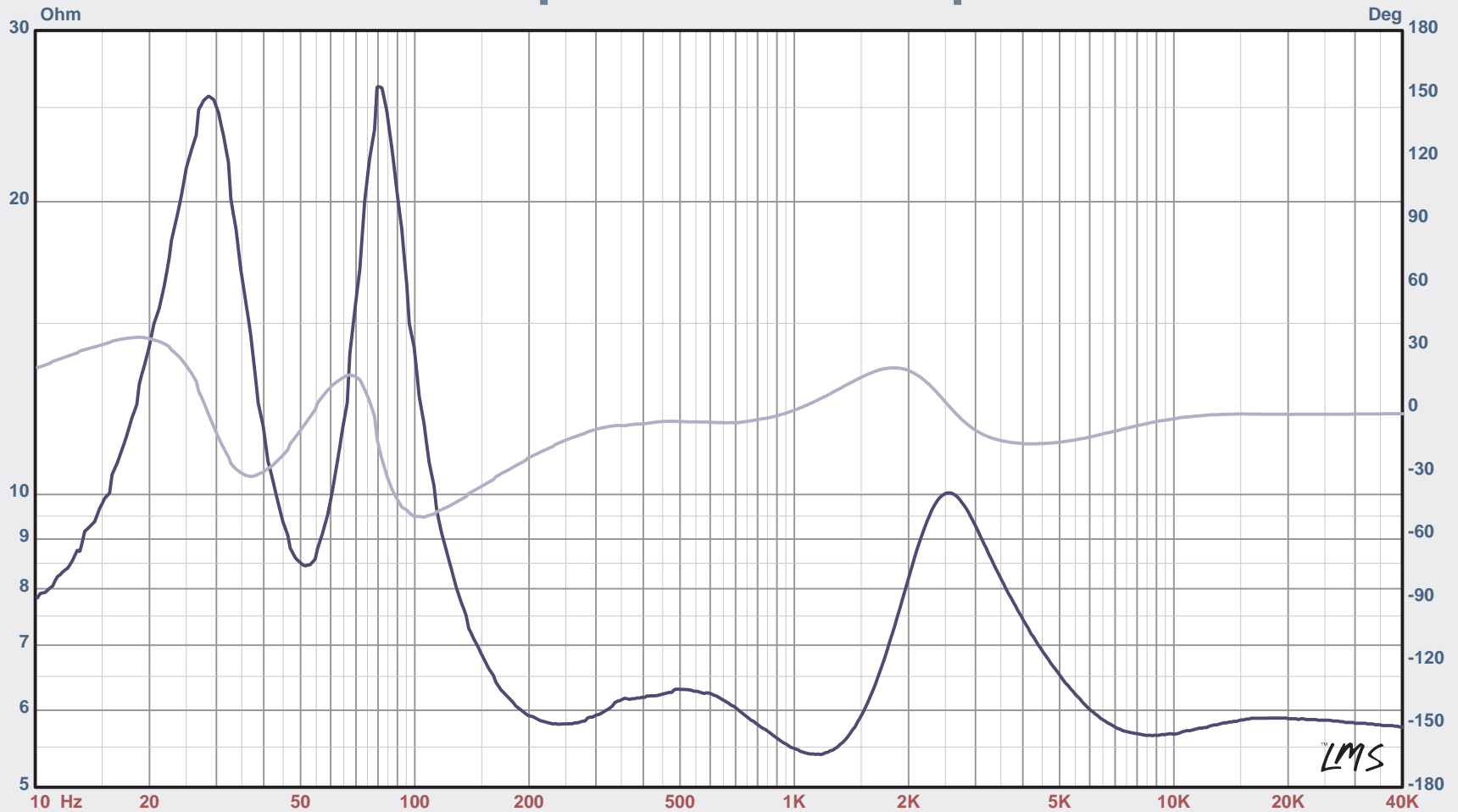
Eilish Shelf Brace
© 2003 Shamrock Audio, Inc.
All Rights Reserved



Eilish High-Pass Section
© 2003 Shamrock Audio, Inc.
All Rights Reserved



Impedance vs Freq



LMS

Map

— 35: Import: ESYSZ.GDT

Notes

C:\LEAPEXPORTESYSZ.GDT

File Created: Feb/13/2004 7:57 PM

File Imported: Feb 13, 2004 Fri 7:58 pm

LMS

4.5.0.340
May/30/2003

Person: Mike
Company: Shamrock Audio, Inc.

Project: Eilish
File: Eilish.lib

Feb 13, 2004
Fri 8:04 pm

LINEAR X
S Y S T E M S